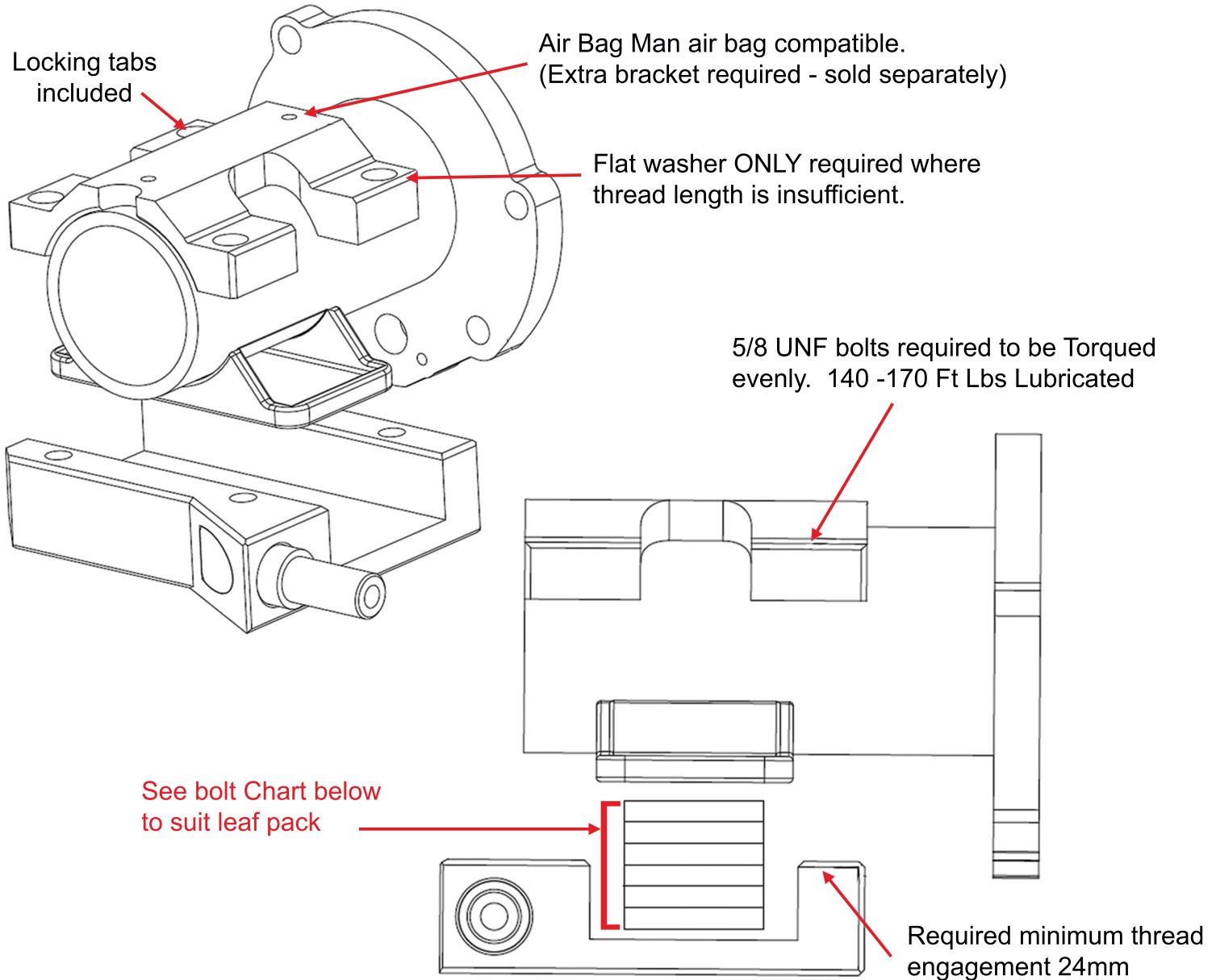


## Leaf Spring Billet High Clearance Mounts -Landcruiser 70 Series Fitting Guide



**NOTE: There must be vehicle weight on the leaf pack to torque up bolts. Should not be done on a hoist/suspended.**

LEAF PACK	REQUIRED BOLT
45-60mm	150mm Bolt
61-64mm	165mm Bolt (Universal trim to suit)
65-85mm	175mm Bolt
86-94mm	185mm Bolt (Universal trim to suit)
95-115mm	200mm Bolt
116-130mm	225mm Bolt
>130mm	Universal Bolt



**Bolts MUST be re-torqued at 500 - 1000KMS**